

ROBOCUT α -C400iB Mechanical specifications

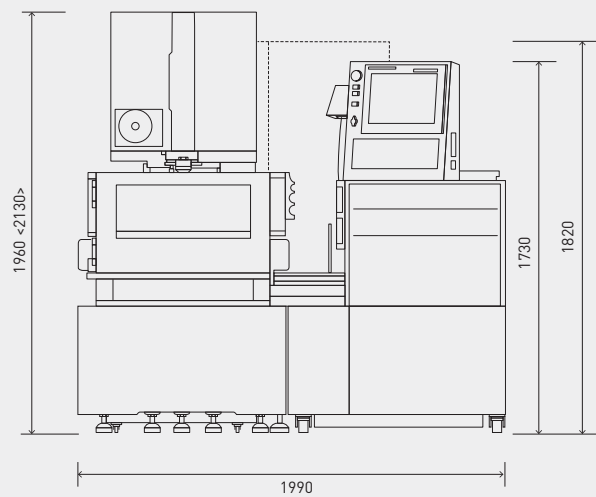



Standard	
Maximum workpiece dimensions [mm]	730 x 630 x 250
Maximum workpiece weight [kg]	500
XY axis table travel [mm]	400 x 300
Z axis travel [mm]	255
UV axis travel [mm]	120 x 120
Maximum taper angle [°/mm]	±30°/80
Minimum step increment of the drives [mm]	0,0001
Wire diameter [mm]	Ø 0.10 ~ Ø 0.30
Maximum wire weight [kg]	16
Footprint (W/D) [mm]	1990 x 2200
Machine weight (approx.) [kg]	1800
Controller	FANUC 31i-WB
Part program storage size [MB]	4
Acoustic noise level	
LPA [dB]	64
LPCpeak [dB]	81
Optional	
Thin wire	
Wire diameter [mm]	Ø 0.05 ~ Ø 0.07
Automatic front door	
Maximum workpiece dimensions with automatic door, Z axis travel [mm]	730 x 585 x 250
45° die guide	
Maximum taper angle [°/mm]	±45°/40
30 kg wire feed unit	
Maximum wire weight [kg]	30


Installing Conditions

Power supply	AC200V±10% 3-phase 50/60Hz ±1Hz, AC220V±10% 3-phase 60Hz ±1Hz, Connection cable terminal size: 8-5, Power consumption: 13kVA
Air supply	Air pressure: 0.5 - 0.7 MPa, Flow rate: 100 - 110 L / min or more: 120L / min or more (with a thin wire option) *Regulator-side coupler mounting screw: Rc1/4
Shield room	If discharge noise can interfere with surrounding radio, television and other sets, a shield room needs to be created
Environment	Ambient temperature: 15-30°C, *Recommend 20±1°C for high precision machining. Install under the oil mist free and dust free environment. Humidity: 75% RH or less
Grounding	The unit must be grounded to avoid damage resulting from electro-magnetic interference or electrical leakage. The grounding itself should be of type C (grounding resistance of 100 max.) as specified in the electrical installation standards and should be carried out independently of the grounding of any other piece of machinery (one piece grounding).

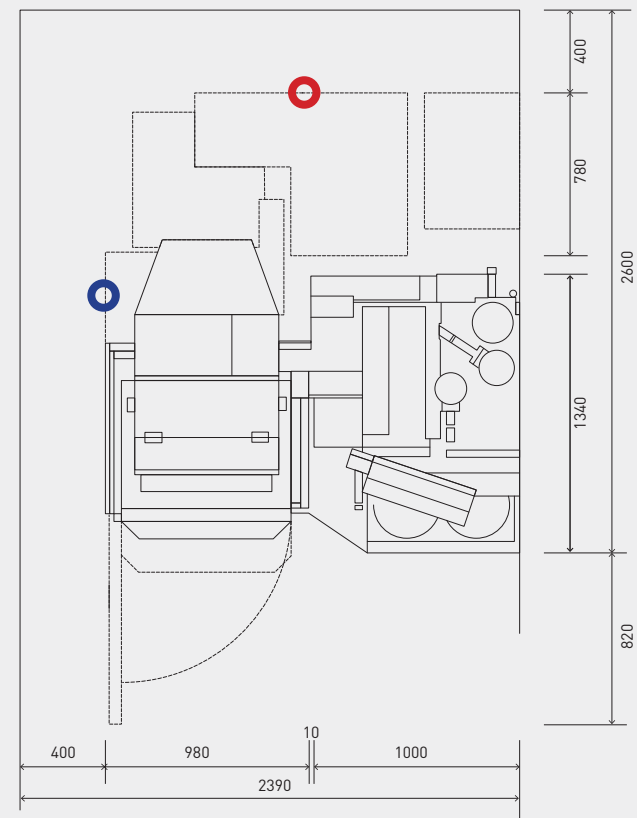
ROBOCUT α -C400iB Outer Dimensions | Floor Plan



 Power input position

 Compressed air input position

* The values in parentheses < > are when the safety cover is open.



*) The above floor plan is that of a standard type machine.

Contact FANUC if you wish to order options such as 30 kg wire feed unit and thin wire option.